

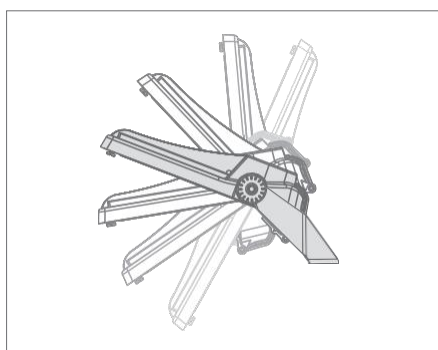
ARIO 1



Product Code	Nominal Product Power
372030	30W
372060	60W

Mechanical Characteristics	
Parameter	Performance
Ingress Protection (IP)	IP66
Body Material	Aluminum die-cast
Lens Material	Tempered Glass
Protection against mechanical impacts (IK)	IK07
Coating of body	Electrostatic Powder painting
Weight (Kg)	2.45

General Characteristics	
Parameter	Performance
Rated Ambient Temperature (tq) Related to Luminaire Performance (°C)	25
Working Temperature Range (°C)	-20 ~ +50
Maximum Allowed Humidity (%)	95
Rated Median Useful Life	50000
Rated Abrupt Failure Value (%)	15



Electrical Characteristics		
Parameter	30W	60W
Nominal Input Voltage & Frequency (V-AC/Hz)	230/50	
Input Voltage Range (V-AC/Hz)	180 - 265/50 - 60	
Nominal Power (W)	30	60
Nominal Input Current (A@V)	0.140@230	0.275@230
Power Factor	0.95<	
LED Module Operating Voltage (V-DC)	48	
Total Harmonic Distortion (THD)	%15 ≥	
LED Module Type	None-Integrated	
Class of Protection Against Electric Shock	I	

Optical Characteristics		
Parameter	30W	60W
Light Source	SMD LED(Mid power)	
Number of LEDs (pcs)	24	48
Nominal Power of Single LED (W)	1.5	
Luminous Flux (Lm)	3450	6900
System Luminous Efficiency (Lm/W)	115	
Color Temperature (°K)	3000, 4000, 5000, 6500	
Color Rendering Index	75	
SDCM (Initial & Working Value)	5SDCM	
Photometric Code	730/559, 740/559,750/559 765/559	
Lumen Maintenance Angle	9	
Light Distribution Angle (Degrees)	25,60,90	

