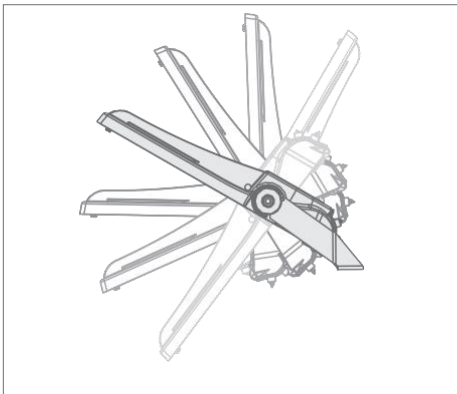




Product Code	Nominal Product Power
375240	240W

Mechanical Characteristics	
Parameter	240W
Ingress Protection (IP)	IP66
Body Material	Aluminum die-cast
Lens Material	Tempered Glass
Protection against mechanical impacts (IK)	IK07
Coating of body	Electrostatic Powder painting
Weight (Kg)	10.25

General Characteristics	
Parameter	Performance
Rated Ambient Temperature (tq) Related to Luminaire Performance (°C)	25
Working Temperature Range (°C)	-20 ~ +50
Maximum Allowed Humidity (%)	95
Rated Median Useful Life	50000
Rated Abrupt Failure Value (%)	15



Electrical Characteristics	
Parameter	240W
Nominal Input Voltage & Frequency (V-AC/Hz)	230/50
Input Voltage Range (V-AC/Hz)	180 - 265/50 - 60
Nominal Power (W)	240
Power Factor	0.95<
Nominal Input Current (A@V)	1.100@230
LED Module Operating Voltage (V-DC)	24
Total Harmonic Distortion (THD)	%15 ≥
LED Module Type	None-Integrated
Class of Protection Against Electric Shock	I

Optical Characteristics	
Parameter	240W
Light Source	SMD LED (Mid power)
Number of LEDs (pcs)	240
Nominal Power of Single LED (W)	1.5
Luminous Flux (Lm)	27600
System Luminous Efficiency (Lm/W)	115
Color Temperature (°K)	5000
Color Rendering Index	75
SDCM (Initial & Working Value)	5SDCM
Photometric Code	750/559
Lumen Maintenance Angle	9
Light Distribution Angle (Degrees)	25,60,90

Color also available in 3000°K,4000°K and 6500°K

