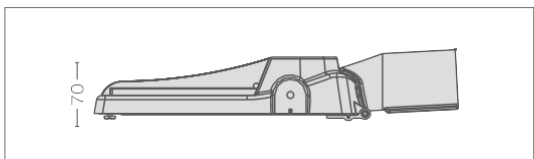
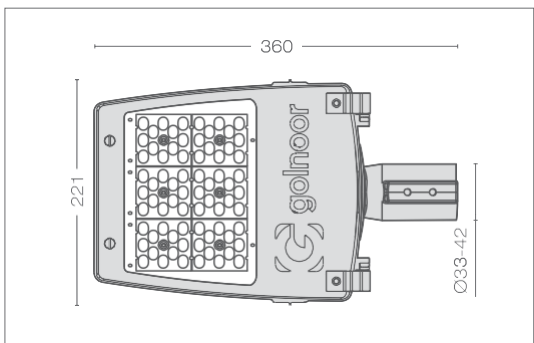


## SOHEIL 1



Mechanical Characteristics			
Parameter	20W	30W	60W
Ingress Protection (IP)	IP66		
Body Material	Aluminum die-cast		
Lens Material	Tempered Glass		
Protection against mechanical impacts (IK)	IK07		
Coating of body	Electrostatic Powder painting		
Pipe holder diameter (mm)	Ø 33 - 42		
Weight (Kg)	2.45		

Product Code	Nominal Product Power
355020	20W
355030	30W
355060	60W

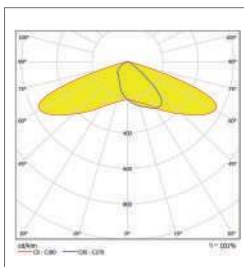


Electrical Characteristics			
Parameter	20W	30W	60W
Nominal Input Voltage & Frequency (V-AC/Hz)	230/50		
Input Voltage Range (V-AC/Hz)	180 - 265/50 - 60		
Nominal Power (W)	20	30	60
Power Factor	0.95<		
Nominal Input Current (A@V)	0.095@230	0.140@230	0.275@230
LED Module Operating Voltage (V-DC)	48		
Total Harmonic Distortion (THD)	%15 ≥		
LED Module Type	None-Integrated		
Class of Protection Against Electric Shock	I		

Optical Characteristics			
Parameter	20W	30W	60W
Light Source	SMD LED(Mid power)		
Number of LEDs (pcs)	24		48
Nominal Power of Single LED (W)	1.5		
Luminous Flux (Lm)	2300	3450	6900
System Luminous Efficiency (Lm/W)	115		
Color Temperature (°K)	3000, 4000, 5000, 6500		
Color Rendering Index	75		
SDCM (Initial & Working Value)	5SDCM		
Photometric Code	730/559,740/559,765/559		
Lumen Maintenance Angle (Degrees)	9		



### Photometric Data



General Characteristics	
Parameter	Performance
Rated Ambient Temperature (tq) Related to Luminaire Performance (°C)	25
Working Temperature Range (°C)	-20 ~ +50
Maximum Allowed Humidity (%)	95
Rated Median Useful Life	50000
Rated Abrupt Failure Value (%)	15