



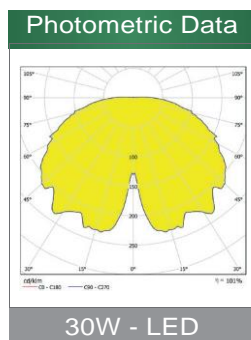
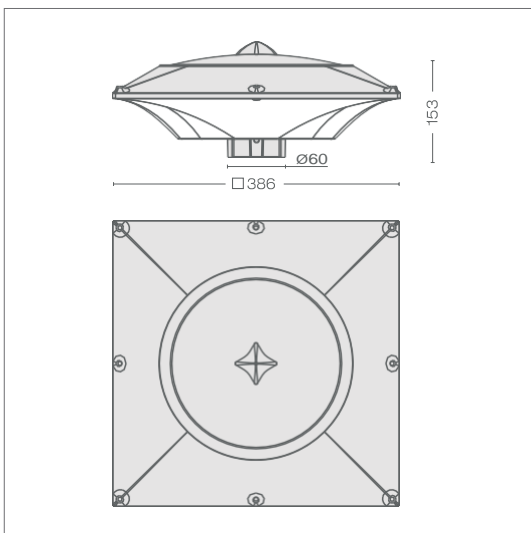
TETRA

Electrical Characteristics	
Parameter	30
Nominal Input Voltage & Frequency (V-AC/Hz)	230/50
Input Voltage Range (V-AC/Hz)	220 - 240/50 - 60
Nominal Power (W)	30
Nominal Input Current (A@V)	0.145@230
Power Factor	0.9
LED Module Operating Voltage (V-DC)	264
Total Harmonic Distortion (THD)	%45 ≥
LED Module Type	Integrated
Class of Protection Against Electric Shock	I
Control equipment type	Independent

Mechanical Characteristics	
Parameter	Performance
Ingress Protection (IP)	IP65
Body Material	Aluminum die-cast
Lens Material	Polycarbonate (PC)
Coating of body	Electrostatic Powder Painting
Pipe holder diameter (mm)	Ø60
Weight (Kg)	3.2

Optical Characteristics	
Parameter	30
Light Source	SMD LED
Number of LEDs (pcs)	44
Nominal Power of Single LED (W)	1.5
Luminous Flux (Lm)	3150
System Luminous Efficiency (Lm/W)	105
Color Temperature (°K)	3000, 5000, 6500
Color Rendering Index	75
SDCM (Initial & Working Value)	5SDCM
Photometric Code	730/559, 750/559, 765/559
Lumen Maintenance Angle (Degrees)	9

Product Code	Nominal Product Power
380030	30 W



General Characteristics	
Parameter	Performance
Rated Ambient Temperature (tq) Related to Luminaire Performance (°C)	25
Working Temperature Range (°C)	-20 ~ +50
Maximum Allowed Humidity (%)	95
Rated Median Useful Life	50000
Rated Abrupt Failure Value (%)	15