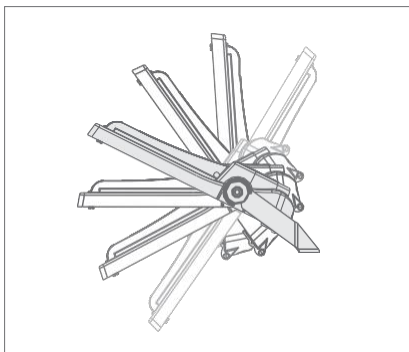




Product Code	Nominal Product Power
373100	100W
373150	150W

Mechanical Characteristics	
Parameter	Performance
Ingress Protection (IP)	IP66
Body Material	Aluminum die-cast
Lens Material	Tempered Glass
Coating of body	Electrostatic Powder painting
Weight (Kg)	5.5

General Characteristics	
Parameter	Performance
Rated Ambient Temperature (tq) Related to Luminaire Performance (°C)	25
Working Temperature Range (°C)	-20 ~ +50
Maximum Allowed Humidity (%)	95
Rated Median Useful Life	50000
Rated Abrupt Failure Value (%)	15



Electrical Characteristics		
Parameter	100W	150W
Nominal Input Voltage & Frequency (V-AC/Hz)	230/50	
Input Voltage Range (V-AC/Hz)	180 - 265/50 - 60	
Nominal Power (W)	100	150
Power Factor	0.95<	
Nominal Input Current (A@V)	0.46@230	0.69@230
LED Module Operating Voltage (V-DC)	24	
Total Harmonic Distortion (THD)	%15 ≥	
LED Module Type	None-Integrated	
Class of Protection Against Electric Shock	I	

Optical Characteristics		
Parameter	100W	150W
Light Source	SMD LED (Mid power)	
Number of LEDs (pcs)	96	144
Nominal Power of Single LED (W)	1.5	
Luminous Flux (Lm)	11500	17250
System Luminous Efficiency (Lm/W)	125	
Color Temperature (°K)	3000, 4000, 5000, 6500	
Color Rendering Index	75	
SDCM (Initial & Working Value)	5SDCM	
Photometric Code	730/559, 740/559, 750/559, 765/559	
Lumen Maintenance Angle	9	
Light Distribution Angle (Degrees)	25,60,90	

