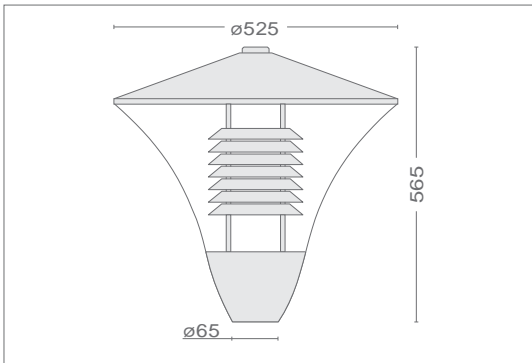


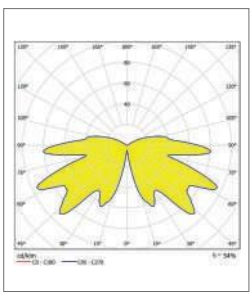
## YAGHOOT



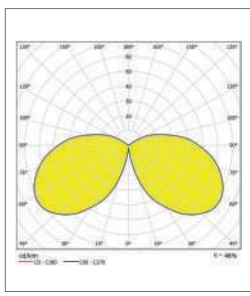
Power (W)	Lamp	Capacitor (µf)	Current (A) Without capacitor	Current (A) With capacitor	Lamp Holder	Weight (Kg)
35	HPS	9	0.5	0.2	E27	7.3
50	HPS	10	0.8	0.3	E27	7.4
70	HPS	12	1	0.4	E27	7.6
125	HQL	9	1.2	0.7	E27	7.6



### Photometric Data



70W - MH



125W - HQL

### Technical Characteristics

Parameter	Performance
Light Source	HID/CFL Lamps
Power range (W)	Up to 125
Input Voltage (V)	230
Input Frequency (Hz)	50
Power Factor	0.95
Lamp holder	E27
Installation diameter (mm)	Ø 60
Ambient temperature (°C)(t <sub>a</sub> )	35
Maximum weight (Kg)	7.6(Without Electrical Components)
Installation height (m)	3 - 4
Dimension (cm)	Ø 52.5 x 56.5
Area of the surface to be loaded (m <sup>2</sup> )	0.15
Protection class against electrical shock	Class I
Reflector	Anodised aluminum
Complete package size (cm)	54 x 54 x 57 (±0.5)
IP Rate	65
Body material	Diecast Aluminum
Cylindrical refractor	Polycarbonate
Coating	Electrostatic Powder Painting
Working Temperature Range (°C)	-20 ~ +50

### Available Lamp Types

High Pressure Sodium (HPS)-Metal Halide								Mercury Vapour (HQL)		
35 W	50 W	70 W	100 W	150 W	250 W	400 W	600 W	125 W	250 W	400 W

- Can be used but not economical
- Can be used
- Can not be used
- Tubular Lamps
- Elliptical Lamps