

## YAGHOOT LED



\* Available in both AC & DC systems for solar powered applications.

### Mechanical Characteristics

Parameter	Performance
Ingress Protection (IP)	IP65
Body Material	Aluminum die-cast
Lens Material	Polycarbonate (PC)
Coating of body	Electrostatic Powder Painting
Pipe holder diameter (mm)	Ø60
Weight (Kg)	5.7

### General Characteristics

Emergency type	Maintained
Emergency power (W)	4
Emergency luminous Flux (Lm)	500
Emergency charge time	24
Emergency discharge time	3
Battery	4.8V-Nicd-4Ah
Working temperature range (°C)	-5 ~ +50
Weight (Kg)	6.2

### General Characteristics

Parameter	Performance
Rated Ambient Temperature (tq) Related to Luminaire Performance (°C)	25
Working Temperature Range (°C)	-20 ~ +50
Maximum Allowed Humidity (%)	95
Rated Median Useful Life	70000
Rated Abrupt Failure Value (%)	15

### Electrical Characteristics

Parameter	35
Nominal Input Voltage & Frequency (V-AC/Hz)	230/50
Input Voltage Range (V-AC/Hz)	180 - 265/50 - 60
Nominal Power (W)	35
Nominal Input Current (A@V)	0.160@230
Power Factor	0.95
LED Module Operating Voltage (V-DC)	50
Total Harmonic Distortion (THD)	%15 ≥
LED Module Type	None-Integrated
Class of Protection Against Electric Shock	I

This product is also available with 24/12 VDC voltages.

### Optical Characteristics

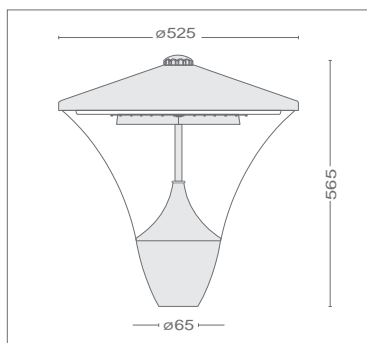
Parameter	35
Light Source	SMD LED
Number of LEDs (pcs)	48
Nominal Power of Single LED (W)	1.5
Luminous Flux (Lm)	4375
System Luminous Efficiency (Lm/W)	125
Color Temperature (°K)	6500
Color Rendering Index	75
SDCM (Initial & Working Value)	5SDCM
Photometric Code	765/559
Lumen Maintenance Angle (Degrees)	9

### Product Code

321035

### Nominal Product Power

35 W



### Photometric Data

