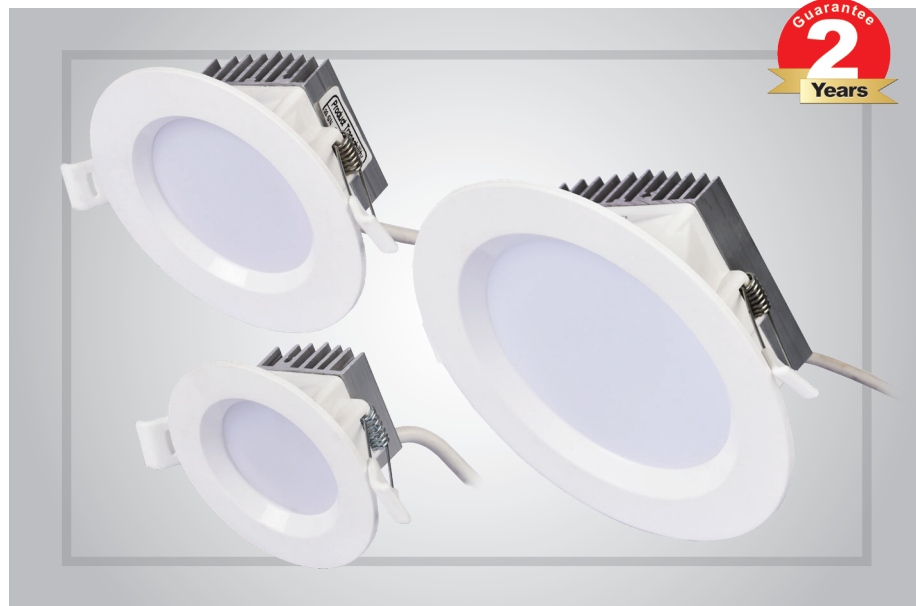
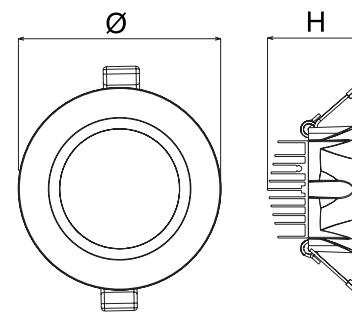
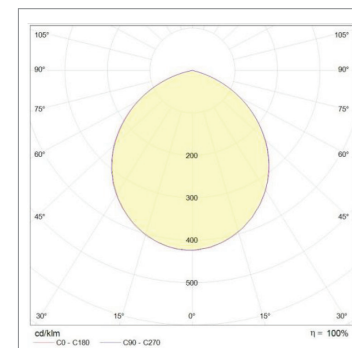


## Elara Down Light



Electrical Characteristics			
Parameter	4 W	8 W	12 W
Nominal Input Voltage & Frequency (V-AC/Hz)	230/50		
Input Voltage Range (V-AC/Hz)	220-240 / 50-60		
Nominal Power (W)	4	8	12
Nominal Input Current (A@230V)	0.019	0.038	0.056
Power Factor	0.9		
nominal power of single led (W)	1.2		
LED Module Operating Voltage (V-DC)	220		
Total Harmonic Distortion	%45 ≥		
LED Module Type	Integrated		
Class of Protection Against Electric Shock	I		
Control equipment type	-----		

Optical Characteristics			
Parameter	4 W	8 W	12 W
Light Source	SMD LED		
Nominal Power of Single LED (W)	13	14	26
Luminous Flux (Lm)	340	600	1080
Color Temperature (°K)	3000, 4000, 6500		
Color Rendering Index	80		
SDCM (Initial & Working Value)	5SDCM		
Photometric Code	730/559, 740/559, 765/559		
Lumen Maintenance Angle	9		



Mechanical Characteristics			
Parameter	4 W	8 W	12 W
Body Material	ABS \ Aluminum		
Diffuser Material	PS		
Coating of body	Electrostatic Powder painting		
Dimension (mm)	0.064	0.11	0.21
Weight (Kg)	Ø80xH47	Ø110xH54.5	Ø155xH62.5

General Characteristics	
Parameter	Performance
Rated Ambient Temperature (t <sub>q</sub> ) <sub>Related to Luminaire Performance (°C)</sub>	25
Working Temperature Range (°C)	-20 ~ +40
Maximum Allowed Humidity (%)	90
Rated Median Useful Life	50000
Rated Abrupt Failure Value (%)	15